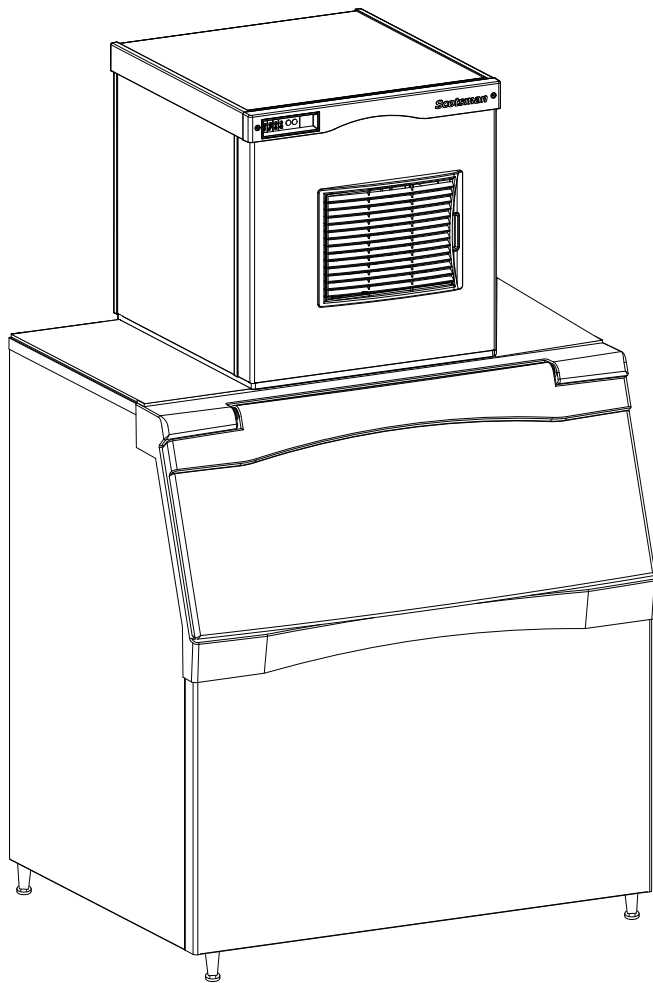


Installation and User's Manual for Modular Flaked & Nugget Ice Machines

Models F0522, F0822, F1222, F1522,
N0422, N0622, N0922 and N1322



Air Cooled, Water Cooled and Remote Air Cooled

Introduction

This ice machine is the result of years of experience with flaked and nugget ice machines. The latest in electronics has been coupled with the time tested Scotsman flaked ice system to provide reliable ice making and the features needed by customers. The features include easily accessible air filters, simple conductivity water level sensing, evaporator clearing at shut down, photo-eye sensing bin control and the ability to add options.

Table of Contents

Installation:	Page 2
Location:	Page 3
N0422, F0522, N0622, F0822, N0822 Cabinet Layout	Page 4
N0922, F1222, N1322, F1522 Cabinet Layout	Page 5
Unpacking & Install Prep	Page 6
Water - Air or Water Cooled	Page 7
Electrical - All Models	Page 8
Refrigeration - Remote Condenser Models	Page 9
Remote Condenser Location - Limits	Page 10
For The Installer: Remote Condenser	Page 11
Precharged Line Routing - Remote Only	Page 12
Coupling Instructions - Remote Only	Page 13
Water - Remote Models	Page 14
Final Check List	Page 15
Initial Start Up and Maintenance	Page 16
Maintenance: Scale Removal and Sanitation	Page 17
Maintenance: Check Top Bearing	Page 18
Bearing Service	Page 19
Maintenance: Sensors	Page 20
Options	Page 21
What to do before calling for service	Page 22

This user and installation manual is organized in three main sections: installation, operation, and maintenance.

Installation:

This machine is designed to be used indoors, in a controlled environment. Operation outside the limits listed here will void the warranty.

Air temperature limits

	Minimum	Maximum
Ice maker	50°F.	100°F.
Remote condenser	-20°F.	120°F.

Water temperature limits

	Minimum	Maximum
All models	40°F.	100°F.

Water pressure limits (potable)

	Minimum	Maximum
All models	20 psi	80 psi

Water pressure limit to water cooled condenser is 150 PSI

Voltage limits

	Minimum	Maximum
115 volt	104	126
208-230 60 Hz	198	253

Minimum conductivity (RO water)

- 10 microSiemens / CM

Water Quality (ice making circuit)

- Potable

The quality of the water supplied to the ice machine will have an impact on the time between cleanings and ultimately on the life of the product. Water can contain impurities either in suspension or in solution. Suspended solids can be filtered out. In solution or dissolved solids cannot be filtered, they must be diluted or treated. Water filters are recommended to remove suspended solids. Some filters have treatment in them for suspended solids.

Check with a water treatment service for a recommendation.

RO water. This machine can be supplied with Reverse Osmosis water, but the water conductivity must be no less than 10 microSiemens/cm.

Potential for Airborne Contamination

Installing an ice machine near a source of yeast or similar material can result in the need for more frequent sanitation cleanings due to the tendency of these materials to contaminate the machine.

Most water filters remove chlorine from the water supply to the machine which contributes to this situation. Testing has shown that using a filter that does not remove chlorine, such as the Scotsman Aqua Patrol, will greatly improve this situation.

Warranty Information

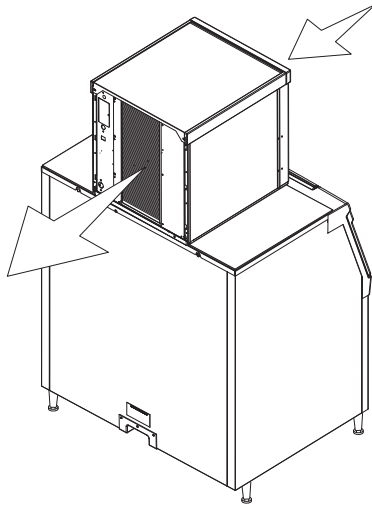
The warranty statement for this product is provided separately from this manual. Refer to it for applicable coverage. In general warranty covers defects in material or workmanship. It does not cover maintenance, corrections to installations, or situations when the machine is operated in circumstances that exceed the limitations printed above.

Location:

While the machine will operate satisfactorily within the listed air and water temperature limits, it will produce more ice when those temperatures are nearer the lower limits. Avoid locations that are hot, dusty, greasy or confined. Air cooled models need plenty of room air to breathe. Air cooled models must have at least six inches of space at the back for air discharge; however, more space will allow better performance.

Airflow

Air flows into the front of the cabinet and out the back. The air filters are on the outside of the front panel and are easily removed for cleaning.



Airflow

Options

Side air flow kits **KPFSA223** or **KPFSA227** are available for air cooled models. A filter kit for the remote condenser is **KERCF**

Ice is made until it fills the bin enough to block an infrared light beam inside the base of the machine. A field installed kit is available to adjust the maintained ice level lower. The kit number is **KVS**.

The standard controller has excellent diagnostic capabilities and communicates to the user through the AutoAlert light panel, seen through the front panel. Field installed kits are available that can log data and provide additional information when the front panel is removed. The kit numbers are **KSBU** and **KSB-NU**. See page 21.

Bin compatibility

All models have the same footprint: 22 inches wide by 24 inches deep. Confirm available space when replacing a prior model.

Bin & adapter list:

- B222S or B322S – no adapter needed
- B330P or B530P or B530S – Use KBT27
- B842S – KBT39
- B948S – KBT38 for single unit
- B948S – KBT38-2X for two units side by side
- BH1100, BH1300 and BH1600 upright bins include filler panels to accommodate a 22 inch wide ice machine. No adapter is needed.

BH900: Use baffle kit **KBBF1** for these models.

Dispenser compatibility

Only **nugget** ice models may be used with ice dispensers. Flaked ice is not dispensable.

- ID150 – use KBT42 and KDIL-PN-150, includes KVS, KNUGDIV and R629088514
- ID200 – use KBT43 and KNUGDIV and KVS
- ID250 – use KBT43 and KNUGDIV and KVS

See sales literature for other brand model ice and beverage dispenser applications.

Other Bins & Applications:

Note the drop zone and ultrasonic sensor locations in the illustrations on the next pages.

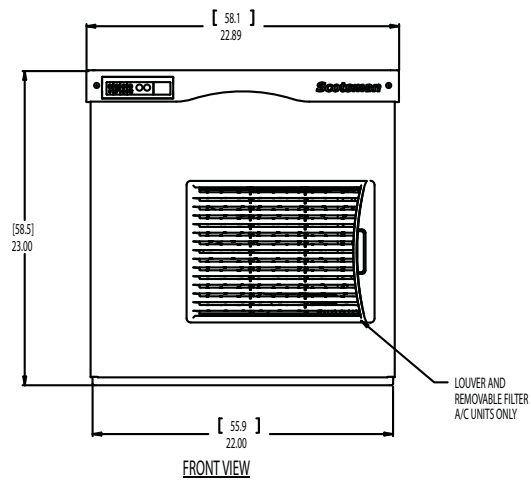
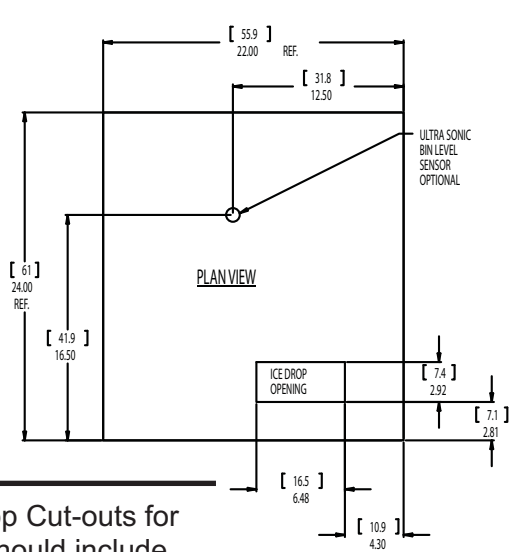
Scotsman ice systems are designed and manufactured with the highest regard for safety and performance. Scotsman assumes no liability of responsibility of any kind for products manufactured by Scotsman that have been altered in any way, including the use of any part and/or other components not specifically approved by Scotsman.

Scotsman reserves the right to make design changes and/or improvements at any time. Specifications and design are subject to change without notice.

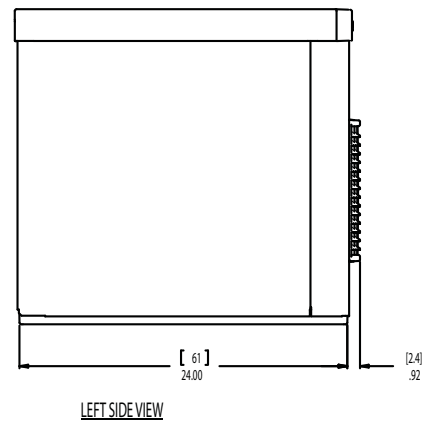
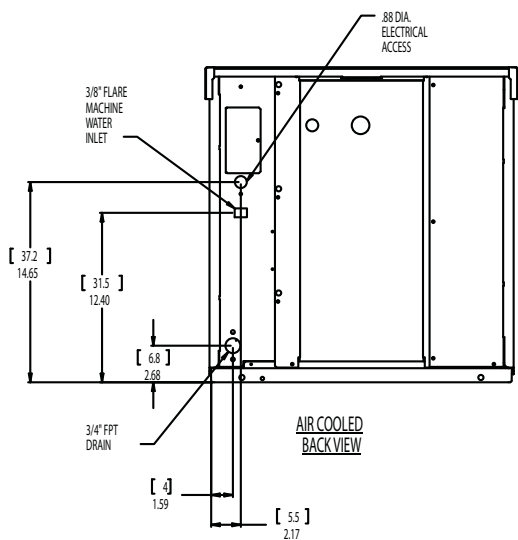
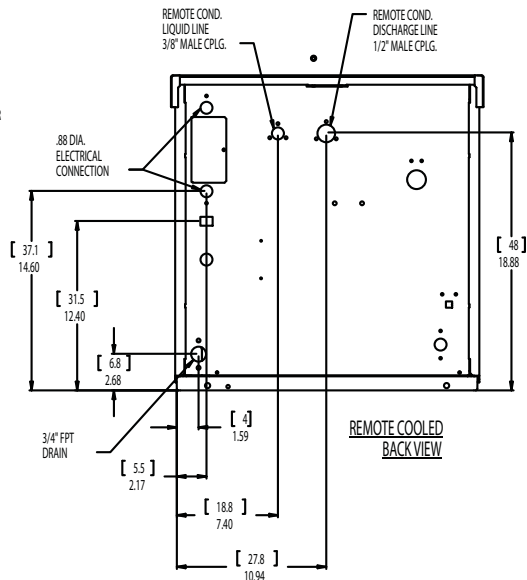
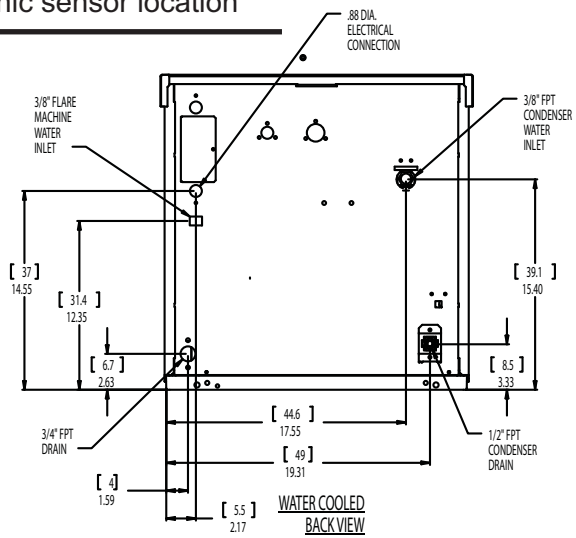
N0422, F0522, N0622, F0822, N0922, F1222, N1322, F1522

Air, Water or Remote User Manual

N0422, F0522, N0622, F0822 Cabinet Layout



Note: Bin Top Cut-outs for drop zone should include ultrasonic sensor location

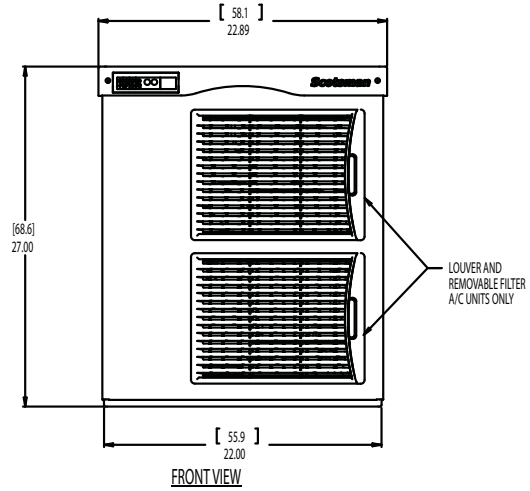
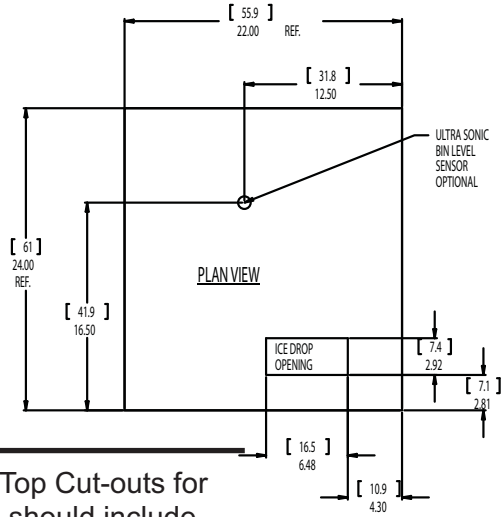


[cm]
In

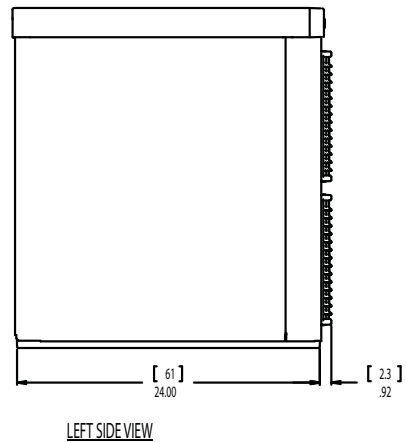
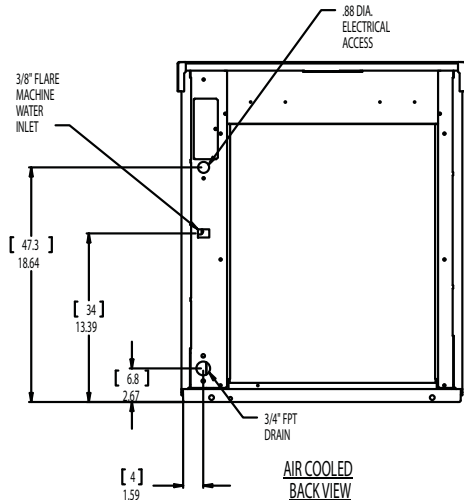
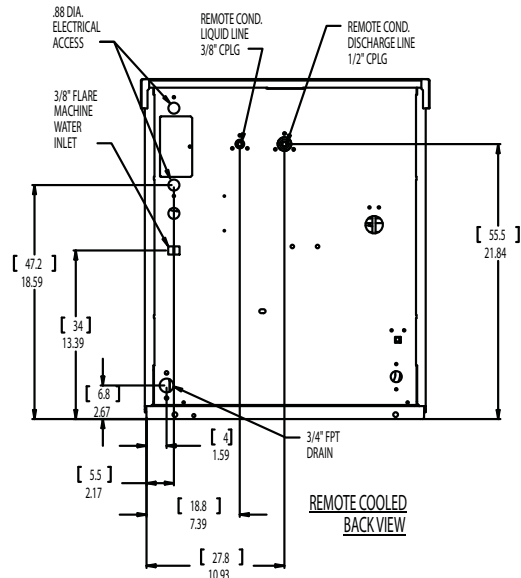
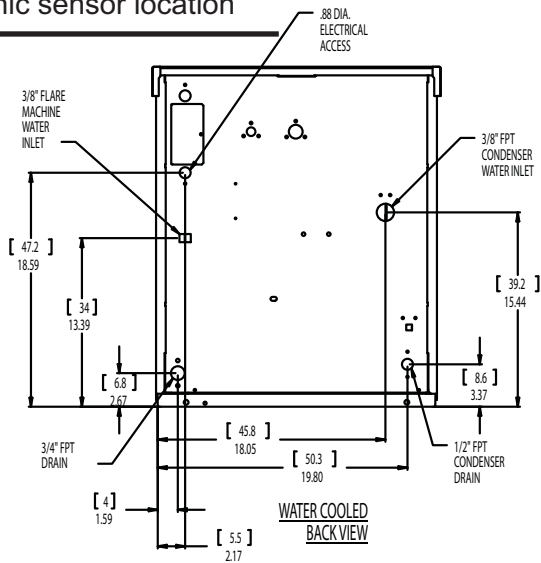
N0422, F0522, N0622, F0822, N0922, F1222, N1322, F1522

Air, Water or Remote User Manual

N0922, F1222, N1322, F1522 Cabinet Layout



Note: Bin Top Cut-outs for drop zone should include ultrasonic sensor location



[cm]
In

Unpacking & Install Prep

Remove the carton from the skid. Check for hidden freight damage, notify the carrier immediately if any is found. Retain the carton for the carrier's inspection.

The machine is not bolted to the skid. If strapped remove the strap.

Place on Bin or Dispenser

If reusing an existing bin, be sure that the bin is in good shape and that the gasket tape on the top is not torn up. Water leaks, not covered by warranty, could result from a poor sealing surface. If installing a remote or a remote low side, a new bin is recommended due to the high cost to the user of replacing an old bin when a remote system is on top.

Install the correct adapter, following the directions supplied with that adapter.

Hoist the machine onto the adapter.

Note: The machine is heavy! Use of a mechanical lift is recommended.

Position the machine on the bin or adapter. Secure with straps from the hardware bag packed with the machine, or those supplied with the adapter.

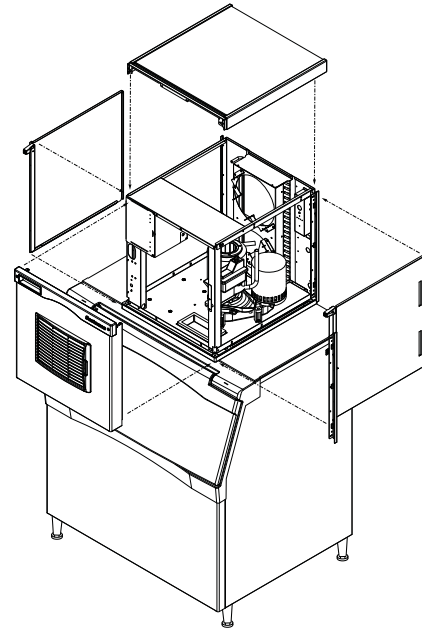
Remove any plastic covering the stainless steel panels.

Note: The standard machine set up includes visible on and off switches. Those can be covered up by changing the bezel in the front panel's trim strip.

Remove any packaging, such as tape or foam blocks, that may be near the gear reducer or ice chute.

Level the bin and ice machine front to back and left to right by using the bin leg levelers.

Panel Removal



1. Locate and loosen the two screws at the front edge of the top panel.
2. Pull the front panel out at the top until it clears the top panel.
3. Lift the front panel up and off the machine.
4. Remove two screws at the front of the top panel. Lift up the front of the top panel, push the top panel back an inch, then lift to remove.
5. Locate and loosen the screw holding each side panel to the base. Left side panel also has a screw holding it to the control box.
6. Pull the side panel forward to release it from the back panel.

Button Switch Bezel

To change bezels: Remove the front panel and push snaps of standard bezel in and pull the bezel out of the front panel trim strip.

Obtain other bezel. Push into the trim strip from the front until it snaps into place. Return the front panel to its original position and secure it to the cabinet

Air, Water or Remote User Manual

Water - Air or Water Cooled

The water supply for ice making must be cold, potable water. There is a single $\frac{3}{8}$ " male flare potable water connection on the back panel. Water cooled models also have a $\frac{3}{8}$ " FPT inlet connection for the water cooled condenser. Chilled water can also be used for this connection.

Backflow

The design of the float valve and reservoir prevents potable water backflow by means of a 1" air gap between the reservoir's maximum water level and the float valve water inlet orifice.

Drain

There is one $\frac{3}{4}$ " FPT condensate drain fitting at the back of the cabinet. Water cooled models also have a $\frac{1}{2}$ " FPT discharge drain connection on the back panel.

Attach Tubing

Connect the potable water supply to the potable water fitting, $\frac{3}{8}$ " OD copper tubing or the equivalent is recommended.

Water filtration is recommended. If there is an existing filter, change the cartridge.

Connect the water cooled water supply to the condenser inlet.

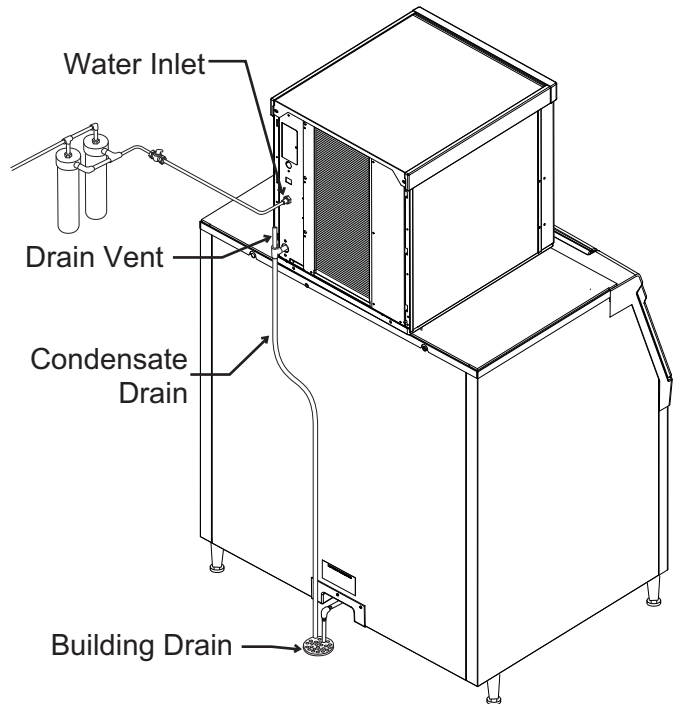
Note: Do NOT filter water to the water cooled condenser circuit.

Drains - use rigid tubing: Connect the drain tube to the condensate drain fitting. Vent the drain.

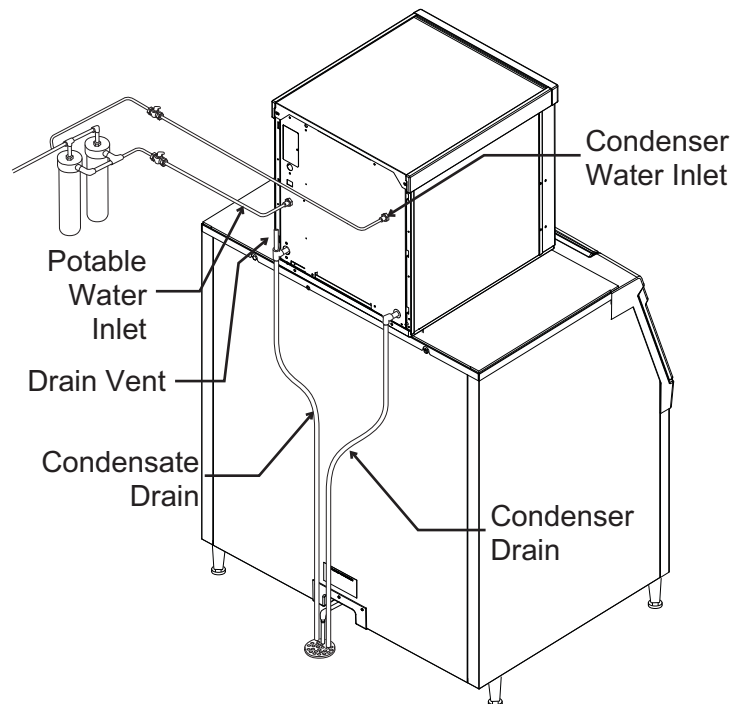
Connect the water cooled condenser drain tube to the condenser outlet. Do not vent this drain.

Do not Tee ice machine drains into the drain tube from the ice storage bin or dispenser. Back ups could contaminate and / or melt the ice in the bin or dispenser. Be sure to vent the bin drain.

Follow all local and national codes for tubing, traps and air gaps.



Air Cooled or Remote Plumbing



Water Cooled Plumbing

N0422, F0522, N0622, F0822, N0922, F1222, N1322, F1522

Air, Water or Remote User Manual

Electrical - All Models

The machine does not include a power cord, one must be field supplied or the machine hard wired to the electrical power supply.

Connect electrical power to wires inside the junction box in the back of the cabinet. Use a strain relief and connect a ground wire to the ground screw.

The junction box for the power cord is on the back panel. See the next page.

Remote models power the condenser fan motor from marked leads in the junction box.

Refer to the dataplate on the machine for minimum circuit ampacity and determine the proper wire size for the application. The dataplate (on the back of the cabinet) also includes the maximum fuse size.

Do not use an extension cord. **Follow all local and national codes.**

Model	Dimensions w" x d" x h"	Voltage Volts/Hz/Phase	Condenser Type	Min Circ Ampacity	Max Fuse Size or HACR Type Circuit Breaker
N0422A-1	22 x 24 x 23	115/60/1	Air	15.2	20
N0422W-1	same	111/60/1	Water	14.4	20
F0522A-1	same	115/60/1	Air	15.2	20
F0522W-1	same	115/60/1	Water	14.4	20
N0622A-1	same	115/60/1	Air	18.3	25
N0622W-1	same	115/60/1	Water	16.7	25
N0622R-1	same	115/60/1	Remote	19.4	25
N0622A-32	same	208-230/60/1	Air	9.8	15
N0622W-32	same	208-230/60/1	Water	8.9	15
F0822A-1	same	115/60/1	Air	18.3	25
F0822W-1	same	115/60/1	Water	16.7	25
F0822R-1	same	115/60/1	Remote	19.4	25
F0822A-32	same	208-230/60/1	Air	9.8	15
F0822W-32	same	208-230/60/1	Water	8.9	15
N0922A-32	22 x 24 x 27	208-230/60/1	Air	12.5	15
N0922W-32	same	208-230/60/1	Water	11.3	15
N0922R-32	same	208-230/60/1	Remote	12.3	15
N0922A-3	same	208-230/60/3	Air	13.0	15
N0922R-3	same	208-230/60/3	Remote	12.8	15
F1222A-32	same	208-230/60/1	Air	12.5	15
F1222W-32	same	208-230/60/1	Water	11.3	15
F1222R-32	same	208-230/60/1	Remote	12.3	15
F1222A-3	same	208-230/60/3	Air	13.0	15
F1222W-3	same	208-230/60/3	Water	11.8	15
F1222R-3	same	208-230/60/3	Remote	12.8	15
N1322A-32	same	208-230/60/1	Air	19.1	30
N1322W-32	same	208-230/60/1	Water	17.9	30
N1322R-32	same	208-230/60/1	Remote	18.9	30
F1522A-32	same	208-230/60/1	Air	19.1	30
F1522W-32	same	208-230/60/1	Water	17.9	30

Refrigeration - Remote Condenser Models

Remote condenser models have additional installation needs.

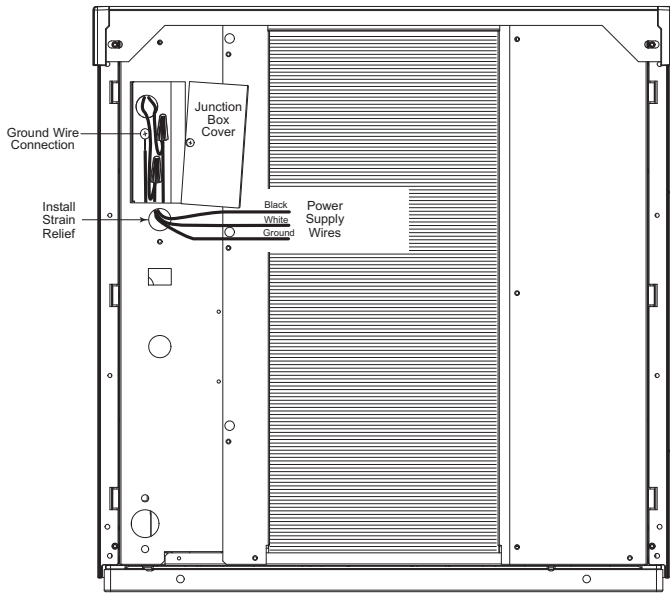
The correct remote condenser fan and coil must be connected to the ice making head. Liquid and discharge tubing connections are on the back of the ice machine cabinet. Pre-charged tubing kits are available in several lengths to accommodate most installations. Order the one that just exceeds the length needed for the installation.

The kit numbers are:

- RTE10
- RTE25
- RTE40
- RTE75

There are limits as to how far away from the ice machine and where the remote condenser can be located. See page 10 for those limits.

The correct condenser must be used.



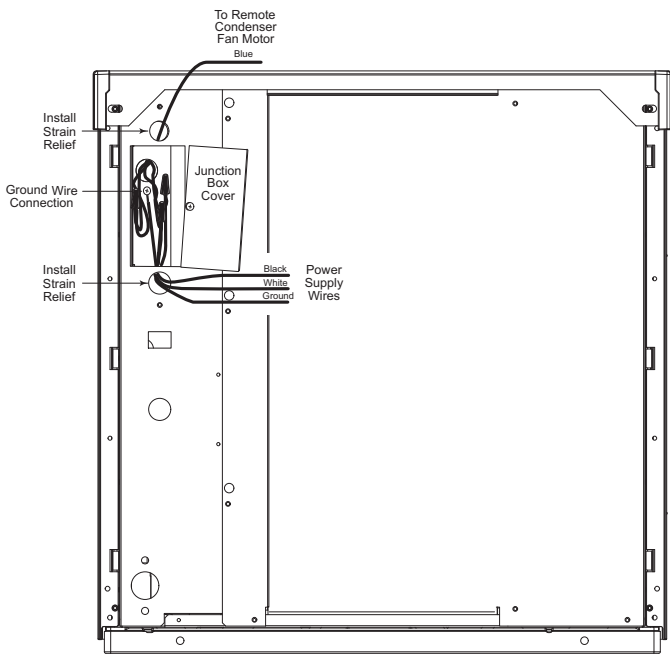
Reference: Electrical Detail, air or water cooled.

Ice Machine Model	Voltage	Condenser Model
F0822R, N0622R	115	ERC111-1
F1222R, N0922R	208-230	ERC311-32
N1322R	208-230	ERC311-32

Do not reuse condenser coils contaminated with mineral oil (used with R-502 for example). They will cause compressor failure and will void the warranty.

A headmaster is required for all remote condenser systems. Prior condensers did not have a headmaster. New head / prior condenser retrofits can use headmaster kit KPFHM.

Use of non-Scotsman condensers requires pre-approval from Scotsman Engineering.



Reference: Electrical Detail - Remote

Remote Condenser Location - Limits

Use the following for planning the placement of the condenser relative to the ice machine

Location Limits - condenser location must not exceed ANY of the following limits:

- Maximum rise from the ice machine to the condenser is 35 physical feet
- Maximum drop from the ice machine to the condenser is 15 physical feet
- Physical line set maximum length is 100 feet.
- Calculated line set length maximum is 150.

Calculation Formula:

- Drop = $dd \times 6.6$ (dd = distance in feet)
- Rise = $rd \times 1.7$ (rd = distance in feet)
- Horizontal Run = $hd \times 1$ (hd = distance in feet)
- Calculation: Drop(s) + Rise(s) + Horizontal Run
- Run = $dd+rd+hd =$ Calculated Line Length

Configurations that do NOT meet these requirements must receive prior written authorization from Scotsman to maintain warranty.

Do NOT:

- Route a line set that rises, then falls, then rises.
- Route a line set that falls, then rises, then falls.

Calculation Example 1:

The condenser is to be located 5 feet below the ice machine and then 20 feet away horizontally.

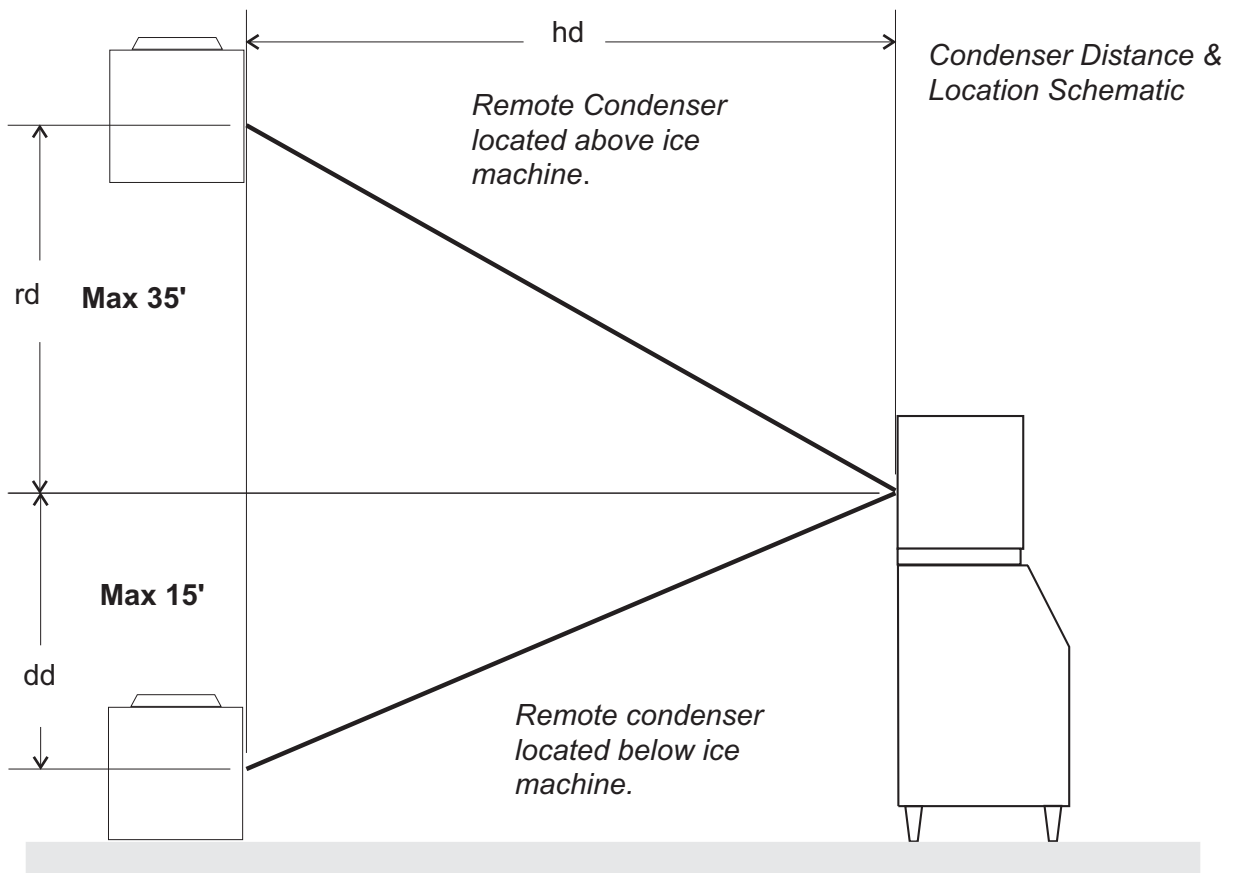
$5 \text{ feet} \times 6.6 = 33. 33 + 20 = 53$. This location would be acceptable

Calculation Example 2:

The condenser is to be located 35 feet above and then 100 feet away horizontally. $35 \times 1.7 = 59.5$.

$59.5 + 100 = 159.5$. 159.5 is greater than the 150 maximum and is NOT acceptable.

Operating a machine with an unacceptable configuration is misuse and will void the warranty.



For The Installer: Remote Condenser

Locate the condenser as near as possible to the interior location of the ice machine. Allow it plenty of space for air and cleaning: keep it a minimum of two feet away from a wall or other rooftop unit.

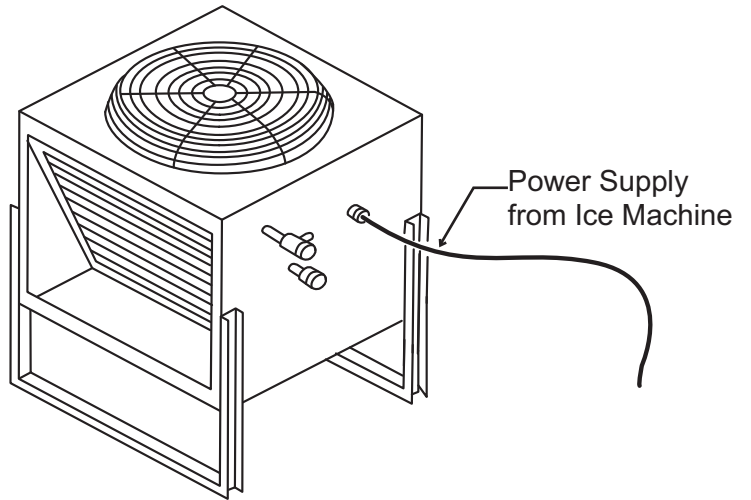
Note: The location of the condenser relative to the ice machine is LIMITED by the specification on the prior page.

Roof penetration. In many cases a roofing contractor will need to make and seal the hole in the roof for the line sets. The suggested hole diameter is 2 inches.

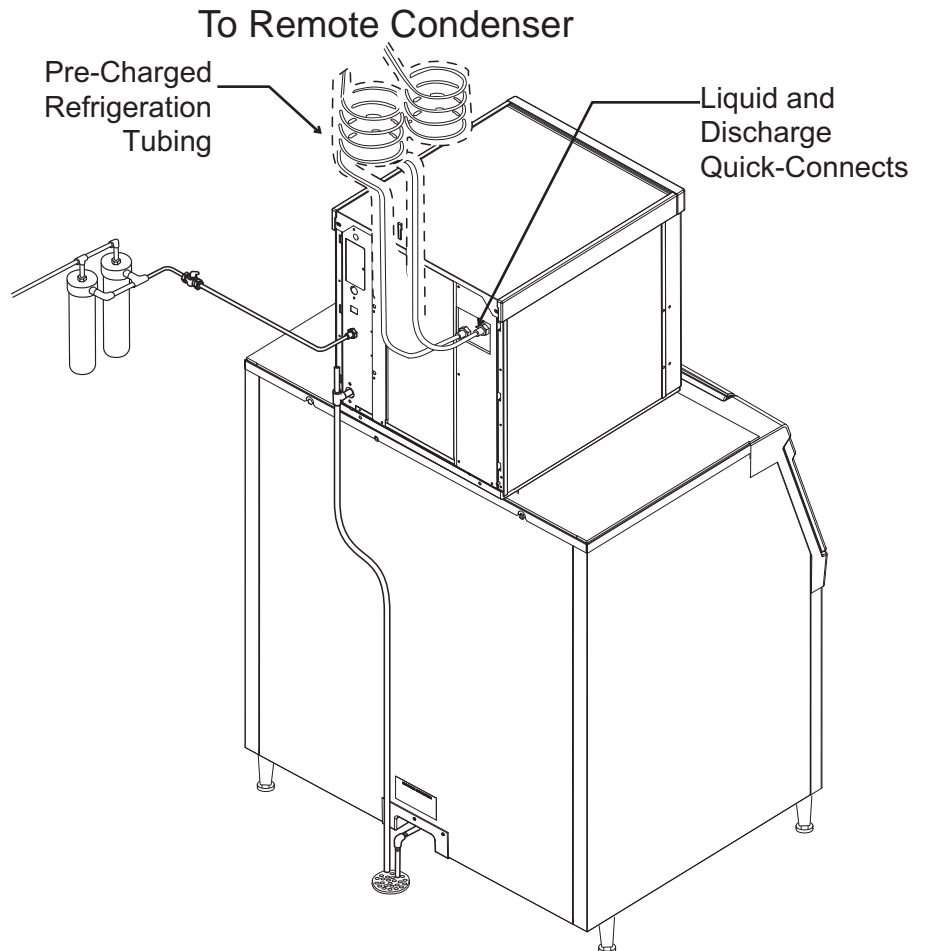
Meet all applicable building codes.

Roof Attachment

Install and attach the remote condenser to the roof of the building, using the methods and practices of construction that conform to the local building codes, including having a roofing contractor secure the condenser to the roof.



Remote Condenser



Precharged Line Routing - Remote Only

Do not connect the precharged tubing until all routing and forming of the tubing is complete. See the Coupling Instructions for final connections.

1. Each set of pre-charged tubing lines contains a 3/8" diameter liquid line, and a 1/2" diameter discharge line. Both ends of each line have quick connect couplings.

Note: The openings in the building ceiling or wall, listed in the next step, are the minimum sizes recommended for passing the refrigerant lines through.

2. Have the roofing contractor cut a minimum hole for the refrigerant lines of 2". Check local codes, a separate hole may be required for the electrical power supply to the condenser.

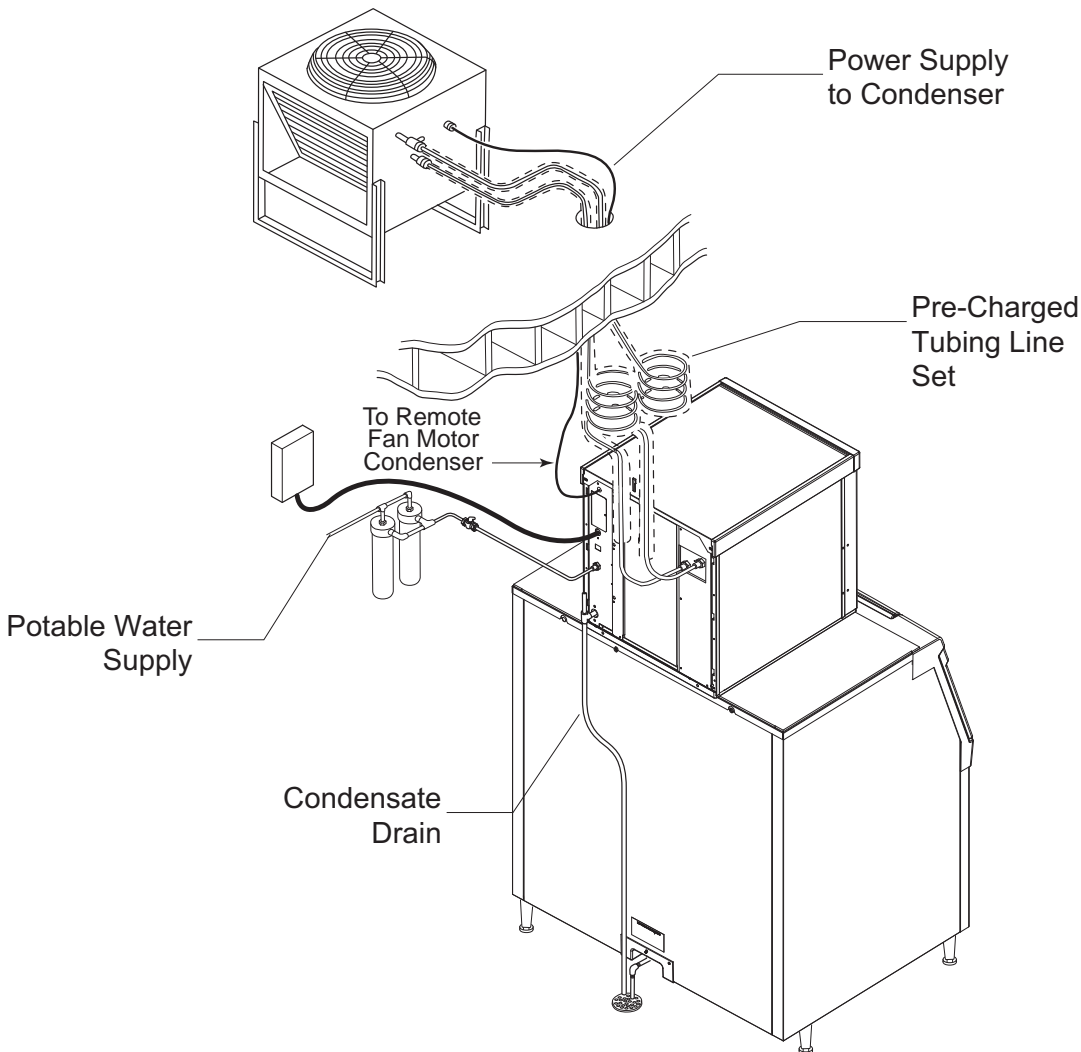
Caution: Do NOT kink the refrigerant tubing while routing it.

3. Route the refrigerant tubes thru the roof opening. Follow straight line routing whenever possible. Excess tubing may EITHER be coiled up INSIDE the building OR cut out prior to connection to the ice maker and condenser.

If the excess tubing is cut out, after re-brazing the tubing must be evacuated prior to connection to the ice maker or condenser.

If the excess tubing is to be coiled, spiral it horizontally to avoid excess trapping in the lines.

5. Have the roofing contractor seal the holes in the roof per local codes



Coupling Instructions - Remote Only

The couplings on the ends of the pre-charged line sets are self-sealing when installed properly.

Follow these instructions carefully.

These steps must be performed by an EPA Certified Type II or higher technician.

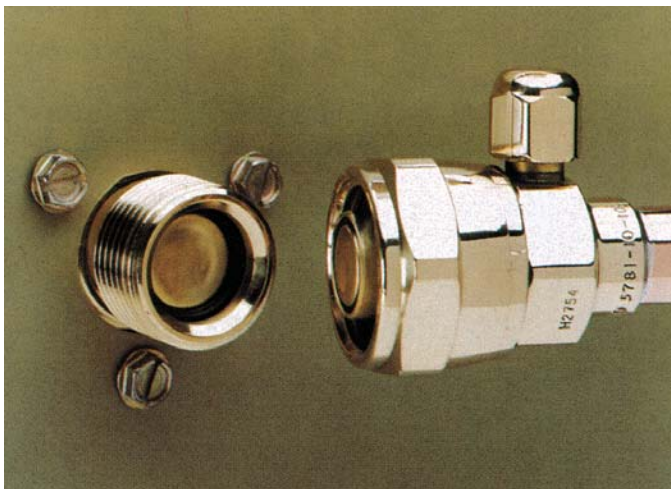
Initial Connections

1. Remove the protector caps and plugs. Wipe the seats and threaded surfaces with a clean cloth to remove any possible foreign matter.
2. Lubricate the inside of the couplings, especially the O-rings, with refrigerant oil. Oil packets are supplied with Scotsman line sets.
3. Position the fittings on the correct connections on the condenser and ice machine.

- Liquid
- Discharge

Final Connections:

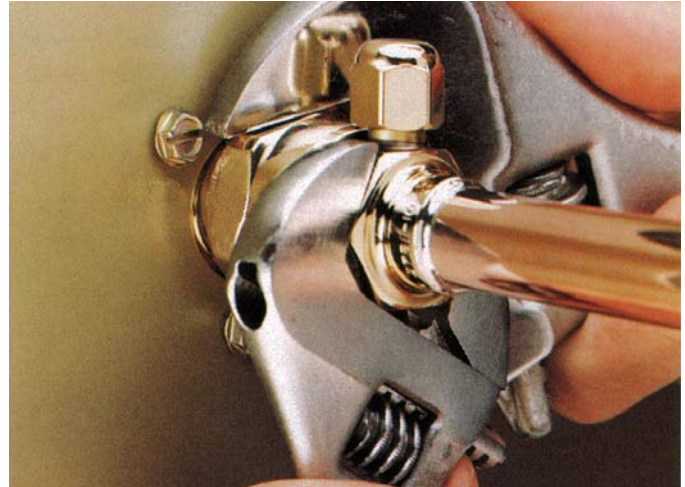
4a. Begin by tightening the couplings together by hand until it is certain that the threads are properly engaged.



4b. Then using two wrenches tighten the coupling until it bottoms out or a definite increase in resistance is felt.

It is important that **ONLY** the nut on the pre-charged tube be turned, or the diaphragms will be torn out by the piercing knives and they will be

loose in the refrigeration system. Note: As the couplings are tightened, the diaphragms in the quick connect couplings will begin to be pierced. As that happens, there will be some resistance to tightening the swivel nut.



4c. Continue tightening the swivel nut until it bottoms out or a very definite increase in resistance is felt (no threads should be showing).

Critical Step!!!!

5. Use a marker or pen to mark a line on the coupling nut and unit panel. Then **tighten the coupling nut an additional one-quarter turn**. The line will show the amount that the nut turns. Do **NOT** over tighten.



6. After all connections have been made, and after the receiver outlet valve has been opened (do not open yet), check the couplings for leaks.

Water - Remote Models

The water supply for ice making must be cold, potable water. There is a single $\frac{3}{8}$ " male flare potable water connection on the back panel.

Backflow

The design of the float valve and reservoir prevents potable water backflow by means of a 1" air gap between the reservoir's maximum water level and the float valve water inlet orifice.

Drain

There is one $\frac{3}{4}$ " FPT condensate drain fitting at the back of the cabinet.

Attach Tubing

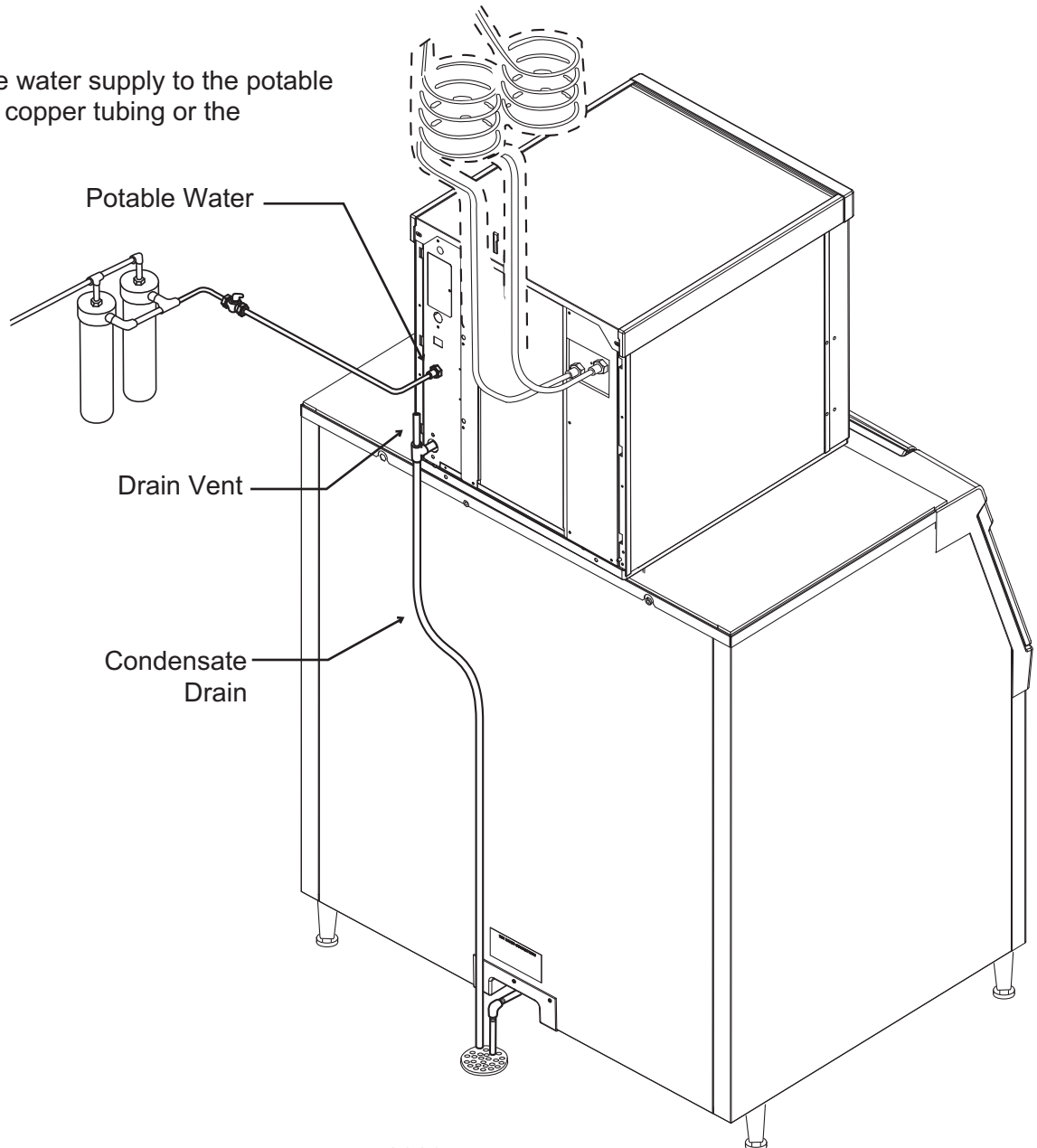
Connect the potable water supply to the potable water fitting, $\frac{3}{8}$ " OD copper tubing or the equivalent is recommended.

Water filtration is recommended. If there is an existing filter, change the cartridge.

Drains - use rigid tubing: Connect the drain tube to the condensate drain fitting. Vent the drain.

Do not Tee ice machine drains into the drain tube from the ice storage bin or dispenser. Back ups could contaminate and / or melt the ice in the bin or dispenser. Be sure to vent the bin drain.

Follow all local and national codes for tubing, traps and air gaps.



Final Check List

After connections:

1. Wash out the bin. If desired, the interior of the bin could be sanitized.
2. Locate the ice scoop (if supplied) and have it available for use when needed.
3. **Remote only: Switch on the electrical power to warm up the compressor. Do not start the machine for 4 hours.**

Final Check List:

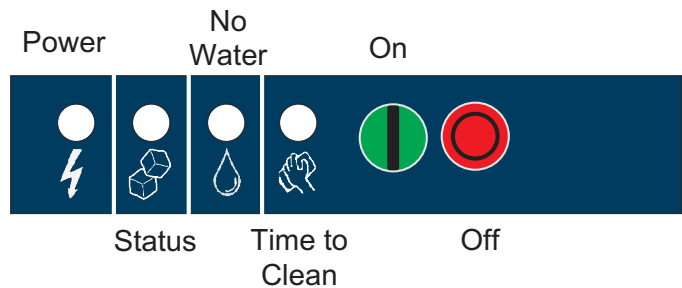
1. Is the unit located indoors in a controlled environment?
2. Is the unit located where it can receive adequate cooling air?
3. Has the correct electrical power been supplied to the machine?
4. Have all the water supply connections been made?
5. Have all the drain connections been made?
6. Has the unit been leveled?
7. Have all unpacking materials and tape been removed?
8. Has the protective covering on the exterior panels been removed?
9. Is the water pressure adequate?
10. Have the drain connections been checked for leaks?
11. Has the bin interior been wiped clean or sanitized?
12. Have any water filter cartridges been replaced?
13. Have all required kits and adapters been properly installed?

Control Operation

Use and Operation

Once started, the ice machine will automatically make ice until the bin or dispenser is full of ice. When ice level drops, the ice machine will resume making ice.

Caution: Do not place anything on top of the ice machine, including the ice scoop. Debris and moisture from objects on top of the machine can work their way into the cabinet and cause serious damage. Damage caused by foreign material is not covered by warranty.



There are four indicator lights at the front of the machine that provide information on the condition of the machine.

Indicator Lights:

- Power
- Status
- Water
- De-scale & Sanitize

Note: If the De-Scale & Sanitize light is ON, following the cleaning process will clear the light for another cleaning time interval.

Two button switches are at the front – On and Off.

To switch the machine OFF, push and release the Off button. The machine will shut off at the end of the next cycle.

To switch the machine ON, push and release the On button. The machine will go through a start up process and then resume ice making.

Initial Start Up and Maintenance

- | | |
|---|--|
| 1. Turn the water supply on. | <u>Sensor Cleaning</u> : Every time the scale is removed. |
| 2. Switch the electrical power on. Confirm voltage is correct for the model. | <u>Top bearing check</u> : At least twice a year or every time the scale is removed. |
| 3. Push and release the On button. The machine will start in about two minutes. | <u>Maintenance: Air filters</u> |
| 4. Soon after starting, air cooled models will begin to blow warm air out the back of the cabinet and water cooled models will drain warm water from the condenser drain tube. Remote models will be discharging warm air from the remote condenser. After about 5 minutes, ice will begin to drop into the bin or dispenser. | 1. Pull air filter(s) from panel.
2. Wash the dust and grease off the filter(s).
3. Return it(them) to their original position(s).

Do not operate the machine without the filter in place except during cleaning. |
| 5. Check the machine for unusual rattles. Tighten any loose screws, be sure no wires are rubbing moving parts. Check for tubes that rub. | <u>Maintenance: Air cooled condenser</u> |
| 6. Fill out the warranty registration form and either file it on line or mail it. | If the machine has been operated without a filter the air cooled condenser fins will need to be cleaned. |
| 7. Notify the user of the maintenance requirements and whom to call for service. | They are located under the fan blades. The services of a refrigeration technician will be required to clean the condenser. |

Maintenance

This ice machine needs five types of maintenance:

- Air cooled and remote models need their air filters or condenser coils cleaned regularly.
- All models need scale removed from the water system.
- All models require regular sanitization.
- All models require sensor cleaning.
- All models require a top bearing check.

Maintenance: Remote air cooled condenser

The condenser fins will occasionally need to be cleaned of leaves, grease or other dirt. Check the coil every time the ice machine is cleaned.

Maintenance: Exterior Panels

The front and side panels are durable stainless steel. Fingerprints, dust and grease will require cleaning with a good quality stainless steel cleaner

Maintenance Frequency:

Air filters: At least twice a year, but in dusty or greasy air, monthly.

Scale removal. At least twice a year, in some water conditions it might be every 3 months. The yellow De-Scale & Sanitize light will switch on after a set period of time as a reminder. The default time period is 6 months of power up time.

Sanitizing: Every time the scale is removed or as often as needed to maintain a sanitary unit.

Note: If using a sanitizer or a cleaner that contains chlorine on the panels, after use be sure to wash the panels with clean water to remove chlorine residue.

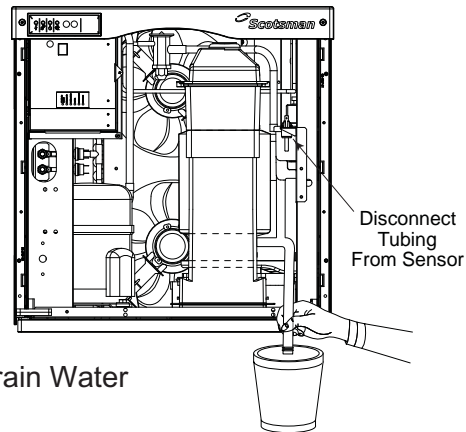
Maintenance: Water filters

If the machine has been connected to water filters, check the cartridges for the date they were replaced or for the pressure on the gauge. Change cartridges if they've been installed more than 6 months or if the pressure drops too much during ice making.

Maintenance: Scale Removal and Sanitation

Note: Following this procedure will reset the de-scale and sanitize light.

1. Remove front panel.
2. Push and release the Off button.
3. Remove ice from bin or dispenser.
4. Turn the water supply to the float valve OFF.
5. Drain the water and evaporator by disconnecting the leg of the hose connected to the water sensor and draining it into the bin. Return the hose to its original position.
6. Remove the water reservoir cover.
7. Mix a solution of 8 ounces of Scotsman Clear One Scale Remover and 3 quarts of 95-115 degree F. potable water.



the water sensor and draining it into the bin or a bucket. Return the hose to its original position. Discard or melt all ice made during the previous step.

13. To sanitize the water system, mix a locally approved sanitizing solution. An example of a sanitizing solution is mixing one ounce of liquid household bleach and two gallons of 95 – 115 degree F. water.
14. Pour the sanitizing solution into the reservoir.
15. Push and release the On button.
16. Switch the water supply to the ice machine on.
17. Operate the machine for 20 minutes.
18. Push and release the Off button.
19. Wash the reservoir cover in the remaining sanitizing solution.
20. Return the reservoir cover to its normal position.
21. Melt or discard all ice made during the sanitizing process.
22. Wash the inside of the ice storage bin with the sanitizing solution.
23. Push and release the On button.
24. Return the front panel to its original position and secure with the original screws.

	<p>CAUTION</p> <p>Ice machine scale remover contains acids. Acids can cause burns. If concentrated cleaner comes in contact with skin, flush with water. If swallowed, do NOT induce vomiting. Give large amounts of water or milk. Call Physician immediately. Keep out of the reach of children.</p>
--	---

8. Pour the scale remover solution into the reservoir. Use a small cup for pouring.
9. Push and release the Clean button: the auger drive motor and light are on, C is displayed and the De-scale light blinks. After 20 minutes the compressor will start.
10. Operate the machine and pour the scale remover into the reservoir until it is all gone. Keep the reservoir full. When all the scale remover solution has been used, turn the water supply back on. After 20 minutes of ice making the compressor and auger motor will shut off.
11. Turn the water supply to the ice machine OFF
12. Drain the water reservoir and evaporator by disconnecting the leg of the hose connected to

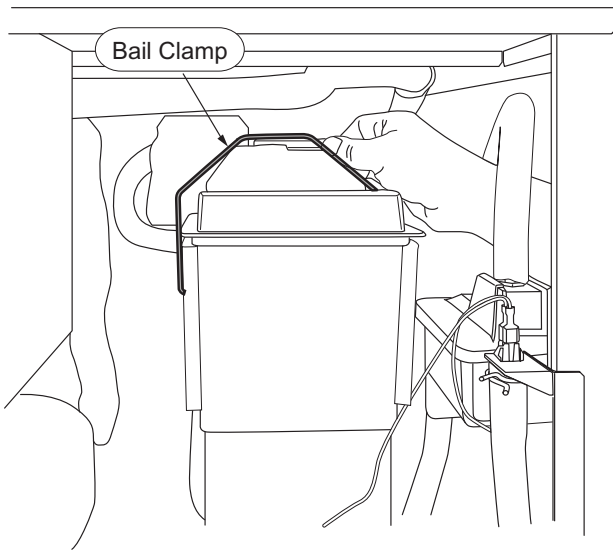
Maintenance: Check Top Bearing

This task should only be done by a qualified service technician

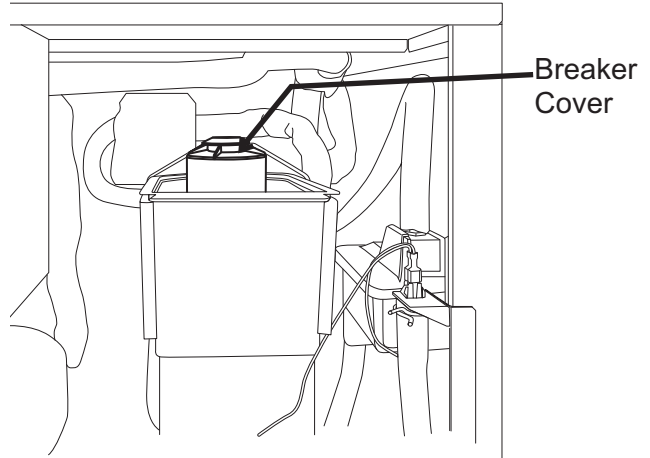
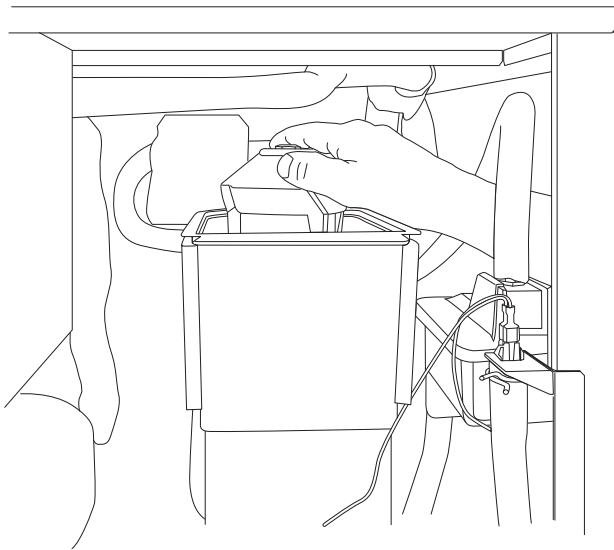
The bearing in the breaker should be checked at least two times per year.

Check the bearing by:

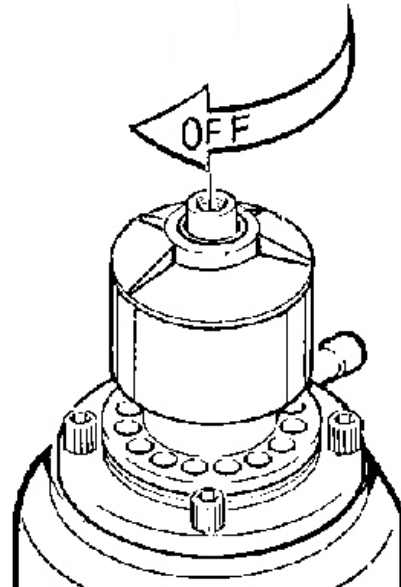
1. Removing the bail clamp and ice chute cover



2. Unscrewing the ice sweep



3. Removing the water shed & unscrewing the breaker cover (left hand threads).



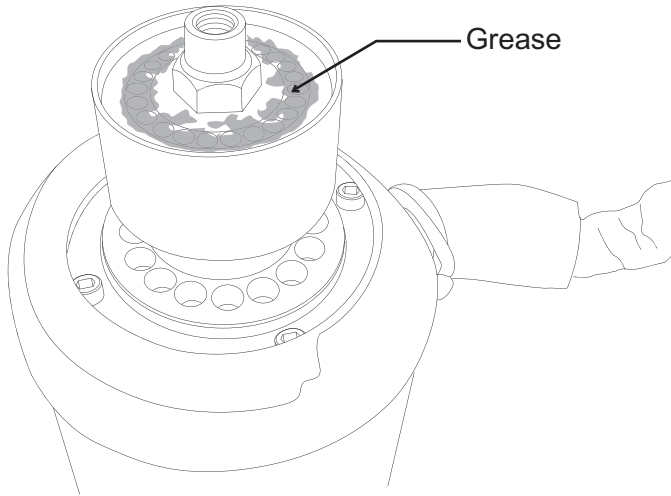
Inspect the top of the bearing. When new the grease is white, over time some gray will appear over the rollers, that is normal. Add grease to replace the gray grease or if gaps between rollers are visible. If grease is watery, all gray or rust is visible, have the bearing replaced. See the next page for more information.

Note: When checking the top bearing, always inspect the drip pan for water seal leaks. If water is present in the drip pan, service the water seal and check the gear reducer's lubricant. See the next page.

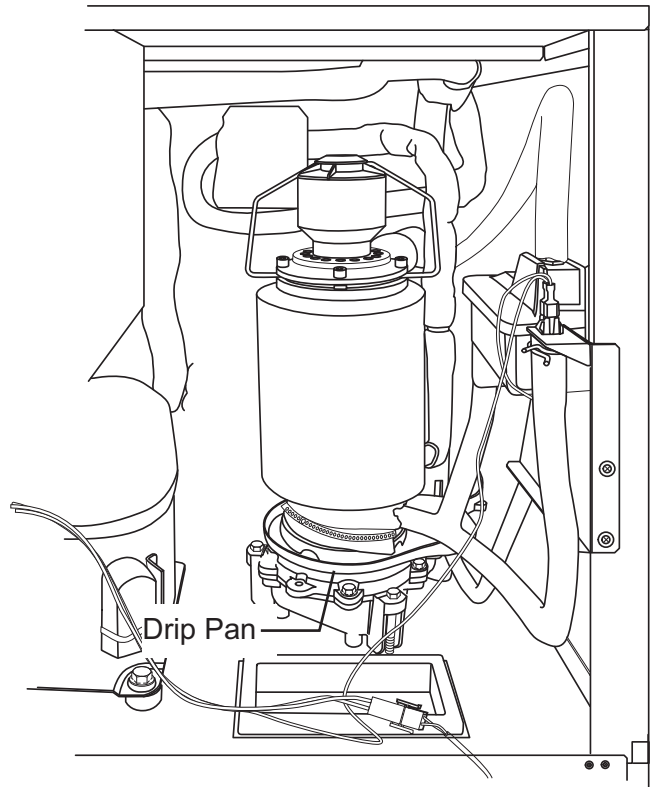
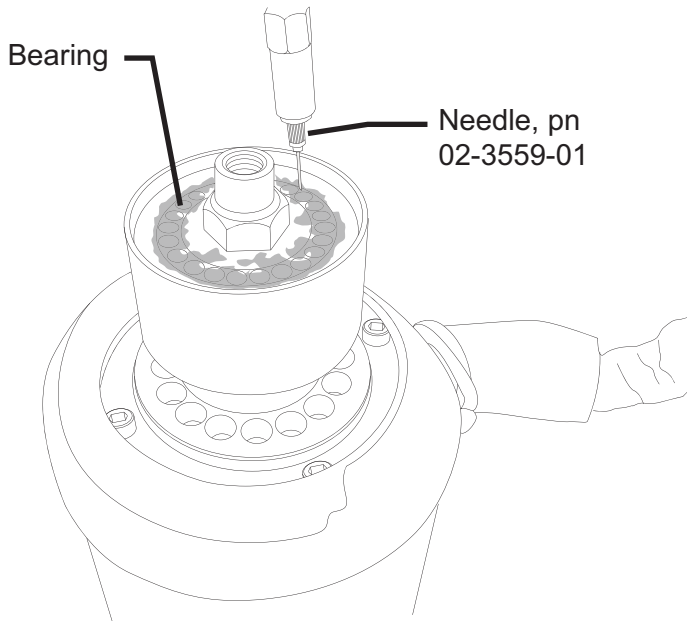
Bearing Service

This task should only be done by a qualified service technician

If the grease is uniformly white, no further action is needed. If very gray, rusty, wet or has any embedded metal, have the bearing replaced.



If the bearing only needs grease, or to confirm the quality of the grease low in the bearing, inject grease into the lower part of the bearing using Scotsman grease needle pn 02-3559-01 and Scotsman bearing grease cartridge, pn A36808-001. Be sure to inject grease evenly and thoroughly.



Check Drip Pan For Water

Change De-Scale Notification Interval

This feature is accessible only from standby (Status Light Off).

1. Press and hold Clean button for 3 seconds.

This starts the Time to Clean Adjustment State and displays the current time to clean setting.

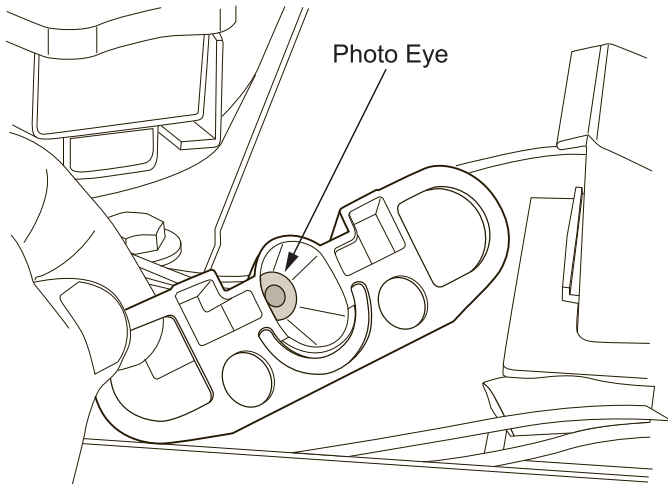
2. Press the clean button repeatedly to cycle through the 4 possible settings:

- 1 year
- 0 (disabled)
- 4 months
- 6 months(default)

3. Push Off to confirm the selection.

Maintenance: Sensors

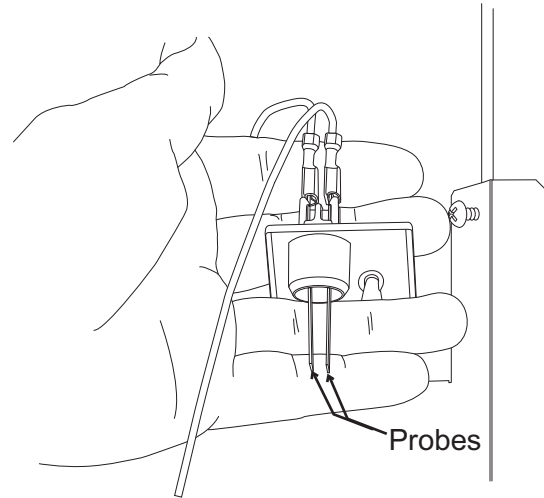
The control that senses bin full and empty is a photo-electric eye, therefore it must be kept clean so it can “see”. At least twice a year, remove the ice level sensors from the base of the ice chute, and wipe the inside clean, as illustrated.



1. Remove front panel.
2. Pull photo eye holders forward to release them.
3. Wipe clean as needed. Do not scratch the photo-eye portion.
4. Return the eye holders to their normal positions and return the front panel to its original position.

Note: Eye holders must be mounted properly. They snap into a centered position and are properly located when the wires are routed to the back and the left eye is the one with 2 wires at the connector.

The ice machine senses water by a probe located near the water reservoir. At least twice a year, the probe should be wiped clean of mineral build-up.



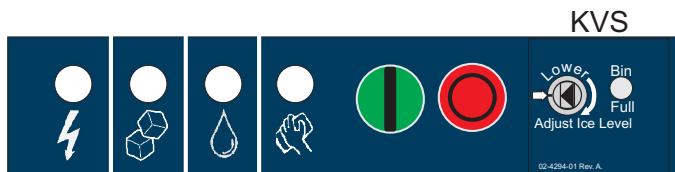
1. Shut off the water supply.
2. Remove front panel.
3. Remove the hose from the water sensor, use a hose clamp pliers for this.
4. Loosen mounting screw and release the water sensor from the frame of the unit.
5. Wipe probes clean,

Options

Vari-Smart

Optional adjustable ice level control (KVS)

When this option is present there is an adjustment post and an additional indicator light to the right of the four indicator lights mentioned earlier.



The ultrasonic ice level control allows the user to control the point that the ice machine will stop making ice before the bin or dispenser is full. Reasons for this include:

- Seasonal changes in ice used
- Planning to sanitize the bin
- Faster turnover for fresher ice
- Certain dispenser applications where maximum ice level is not desired

Use of adjustable ice level control

There are several positions the ice level can be set to, including Off (knob and label indicators lined up), where it fills the bin until the standard bin control shuts the machine off. See the kit's instructions for complete details.

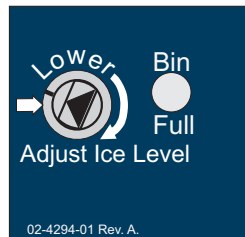
Rotate the adjustment post to the desired ice level. The machine will fill up to that level and when it shuts off the indicator light next to the adjustment post will be On.

Note: The maximum fill position is when the arrow on the knob points to the arrow on the label.



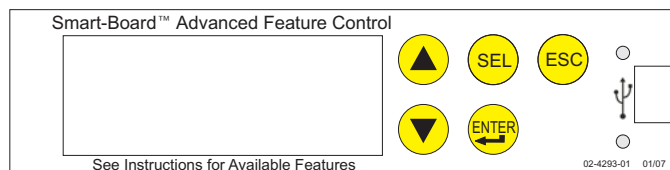
**Dispenser applications -
Nugget ice only:**

Set the adjustment knob to either the first or second position CW after the maximum fill position.



Smart-Board

Optional Advanced Feature Board (KSBU)



When this option is present there is an additional display panel in the area below the main control board. It is not visible when the front panel is on.

The Advanced Feature Board's features include:

- Seven day programmable ice level setting when used with the optional KVS ultrasonic ice level control
- Recording of machine operation
- Recall of malfunctions with the time they occurred.

Optional Remote Lock Out (KSL)

This add on allows remote on-off control of the machine, and is generally installed by leasing companies. When the board has been remotely locked out and shut off it must be reset by the person or company that locked it out. It cannot be reset on site.

Air, Water or Remote User Manual

What to do before calling for service

Normal Operation:

Ice

The machine will make either flaked or nugget ice, depending upon the model. The ice will be produced continuously until the bin is full. It is normal for a few drops of water to occasionally fall with the ice.

Heat

On remote models most heat is exhausted at the remote condenser, the ice machine should not generate significant heat. Water cooled models also put most of the heat from ice making into the discharge water. Air cooled models will generate heat, and it will be discharged into the room.

Noise

The ice machine will make noise when it is in ice making mode. The compressor and gear reducer will produce sound. Air cooled models will add fan noise. Some ice making noise could also occur.

These noises are all normal for this machine.

Reasons the machine might shut itself off:

- Lack of water.

- Does not make ice
- Auger motor overload
- High discharge pressure.
- Low refrigeration system pressure.
- Controller self test failure.

Check the following:

1. Has the water supply to the ice machine or building been shut off? If yes, the ice machine will automatically restart within minutes after water begins to flow to it.
2. Has power been shut off to the ice machine? If yes, the ice machine will automatically restart when power is restored.
3. Has someone shut the power off to the remote condenser while the ice machine still had power? If yes, the ice machine may need to be manually reset.

To Manually Reset the machine.

- Push and release the Off button.
- Push and release the On button.

To Shut the Machine Off:

Push and hold the Off button for 3 seconds or until the machine stops.

		Indicator Lights & Their Meanings			
		Power	Status	Water	De-Scale & Sanitize
Light Actions	Steady Green	Normal	Normal	-	-
	Blinking Green	Self Test Failure	Switching on or off. When Smart-Board used, machine attention recommended.	-	-
	Blinking Red	-	Diagnostic shut down	Lack of water	-
	Yellow	-	-	-	Time to descale and sanitize
	Blinking Yellow	-	-	-	In Cleaning Mode
	Light Off	No power	Switched to Off	Normal	Normal
	All Blinking	Unit is remotely locked out - check with leasing company			

SCOTSMAN ICE SYSTEMS

775 Corporate Woods Parkway

Vernon Hills, IL 60061

800-726-8762

www.scotsman-ice.com